



F00010A

## ESS Fuses Frame 5

### Description

Socomec Frame 5 ESS series power fuses are specially engineered and tested to provide a premium protection in ESS and power distribution with currents from 1250A to 3000A with a breaking capacity of 250kA.



### General characteristics

- Rated voltage : 1500 Vdc
- Amp rating : 1250A – 3000A
- Breaking capacity : 250kA
- Time constant : 10-15 ms
- Class : aR
- Type 5 in this datasheet is without microswitch
- Optional microswitch available 61S00001

### Operating conditions

- T° : -40°C – 120°C
- Altitude -2000m / +5000m
- Humidity : <50% @ 40°C, max  
90% @ 20°C

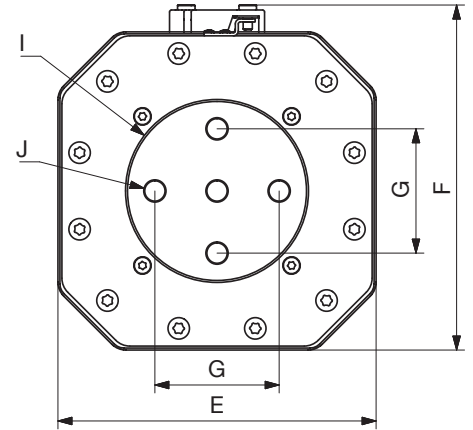
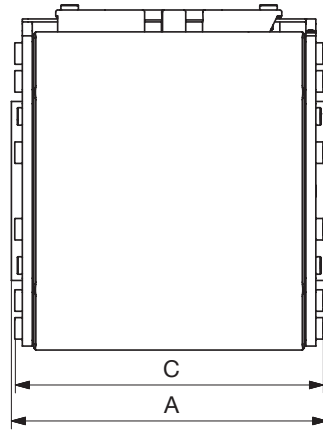
### Standards

- UL248-1 / -13
- IEC 60269-1/ 60269-2 / IEC 60269-4
- 3th part TUV for IEC certification
- RoHS and REACH Compliant

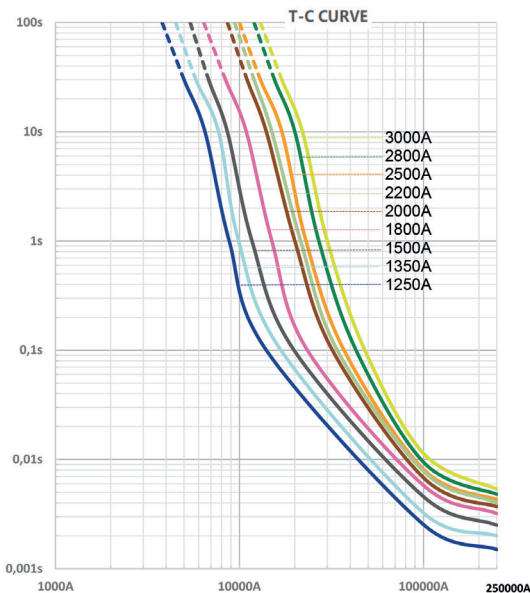
Rated current (A)	I²t (A²S)		Power Loss (W 100%)	Reference	Package of
	Pre-Acring	Total		Flush	
1250	2 374 000	4 287 000	270	61S35125	1
1350	3 265 000	6 823 000	290	61S35135	1
1500	4 986 000	8 912 000	300	61S35150	1
1800	5 897 000	11 300 000	330	61S35180	1
2000	7 850 000	13 400 000	390	61S35200	1
2200	9 875 000	17 300 000	430	61S35220	1
2500	11 540 000	22 890 000	450	61S35250	1
2800	15 400 000	28 765 000	460	61S35280	1
3000	21 289 000	38 970 000	600	61S35300	1

		Fluch
A	in	6,26
	mm	159
B	in	/
	mm	/
B2	in	/
	mm	/
C	in	6,10
	mm	155
D	in	/
	mm	/
E	in	50,20
	mm	158
F	in	6,22
	mm	158
G	in	2,46
	mm	62,5
H	in	/
	mm	/
I	in	3,54
	mm	90
J	Bolt	M12

Mounting type 3 : Flush



Time current curves



Temperature derating

