

# INOSYS 87P22120

1200A UL 98B 1500VDC



INOSYS LBS is a range of load break switches that can be manually controlled. These switches can be operated manually using the handle (manual version) to disconnect all or part of the electrical installation. They ensure on-load opening / closing and safe disconnection of any direct current electrical circuit up to 1500 VDC. They can also be used for emergency power switching applications. They are tested and validated according to existing UL98B and IEC60947-3 standards.

## General Information

Product range :	INOSYS LBS
Long Description:	INOSYS 87P22120 INOSYS LBS 1200A UL 2P2 1500V
Short Description:	INOSYS LBS 1200A UL 2P2 1500V

## Certificates and declaration

Conformity to standard #1:	UL98B
----------------------------	-------

## Container Information

Product per package:	1
----------------------	---

## Main

Reference:	87P22120
Rating (A):	1200
Number of poles:	2P+2

## Ordering

Country of origin:	FRANCE
--------------------	--------

## Technical characteristics

Rating (A)		1200
IEC Electrical characteristics		
As per UL98B	Disconnect switch, frame	F3
	Rated insulation voltage $U_i$ (V)	1500
	Rated impulse withstand voltage $U_{imp}$ (kV)	12
	Utilization category for $U_e=1500V_{dc}$	UL 98B 1200
	<b>Short circuit capacity</b>	
	Prospective short circuit current (UL 98B) (kA)	10
	Rated short-time withstands current 1s. $I_{cw}$ (kA rms) (IEC 60947-3)	20 (1sec)
	Power dissipation W/p (at maximum $I_e/U_e$ )	31
IEC 60947-3 DC-20 (A)	1400	

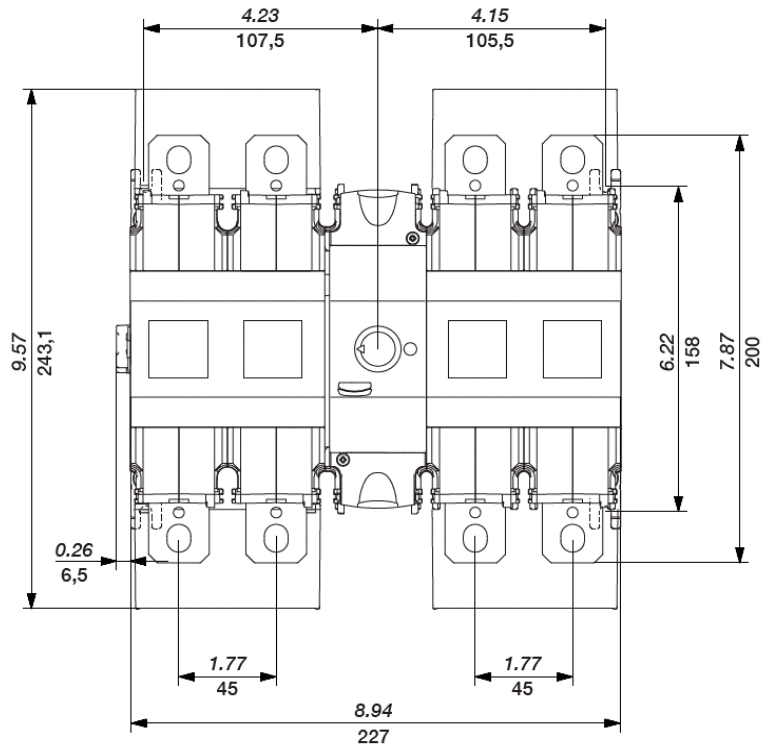
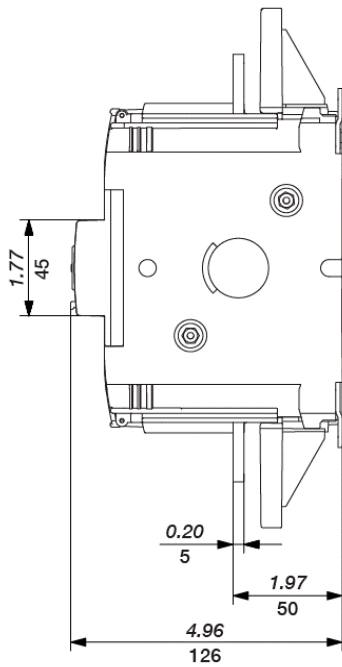
## Mechanical characteristics

Mechanical durability (nb of operating cycle without load)	8000
Operating temperature without derating	40
Maximum weight (without bridging links)	6,6

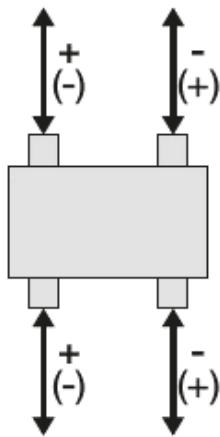
## Connection terminals

Maximum Cu Busbar dimensions (width) (mm)	10 x 100
Maximum rigid cable cross-section Cu for each side (mm <sup>2</sup> )	4 x 600
Tightening torque min (Nm):	35
Tightening torque max (Nm):	42,4

## Dimensions



### Connection



Using  
84091600  
BRIDGING BAR  
F3 1600A

Using Manual  
External: S2L

Using shaft S  
10x10  
140010XX (XX=  
20 to 40)

Using Lugs  
CMC PV2-600  
39542060  
39543060

Using Aux.  
Contact Screw  
NO+NC STD  
84990001

Using Aux  
Contact Screw  
NO+NC Low  
level  
84990002

Using Aux  
Contac Screw  
NC 600V  
84990003