

INOSYS 87P22100

1000A UL 98B 1500VDC



INOSYS LBS is a range of load break switches that can be manually controlled. These switches can be operated manually using the handle (manual version) to disconnect all or part of the electrical installation. They ensure on-load opening / closing and safe disconnection of any direct current electrical circuit up to 1500 VDC. They can also be used for emergency power switching applications. They are tested and validated according to existing UL98B and IEC60947-3 standards.

General Information

Product range :	INOSYS LBS
Long Description:	INOSYS 87P22100 INOSYS LBS 1000A UL 2P2 1500V
Short Description:	INOSYS LBS 1000A UL 2P2 1500V

Certificates and declaration

Conformity to standard #1:	UL98B
----------------------------	-------

Container Information

Product per package:	1
----------------------	---

Main

Reference:	87P22100
Rating (A):	1000
Number of poles:	2P+2

Ordering

Country of origin:	FRANCE
--------------------	--------

Technical characteristics

Rating (A)	1000
------------	------

IEC Electrical characteristics

As per UL98B	Disconnect switch, frame	F3
	Rated insulation voltage U_i (V)	1500
	Rated impulse withstand voltage U_{imp} (kV)	12
	Utilization category for $U_e=1500V_{dc}$	UL 98B 1000
	Short circuit capacity	
	Prospective short circuit current (UL 98B) (kA)	10
	Rated short-time withstands current 1s. I_{cw} (kA rms) (IEC 60947-3)	20 (1 sec)
Power dissipation W/p (at maximum I_e/U_e)	21	

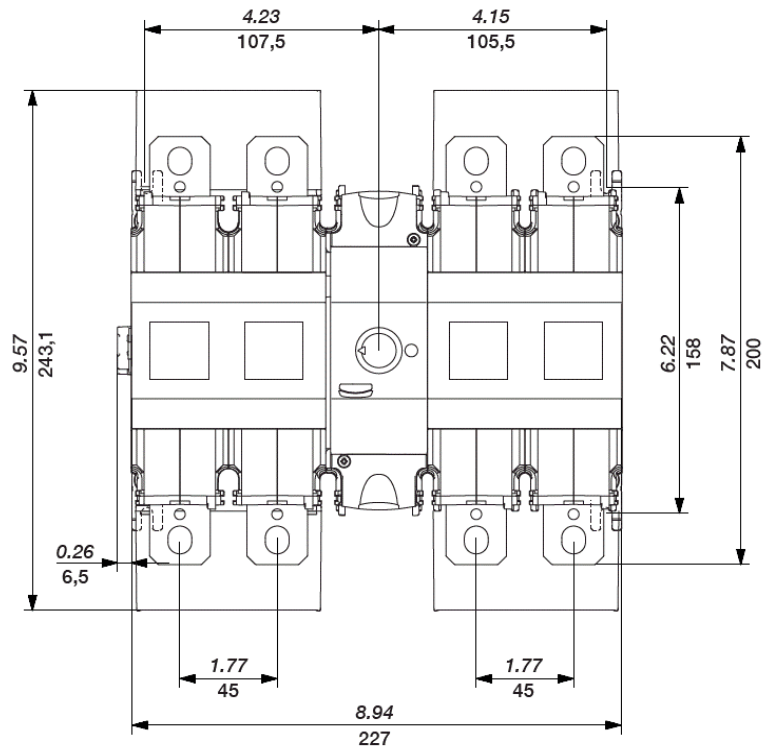
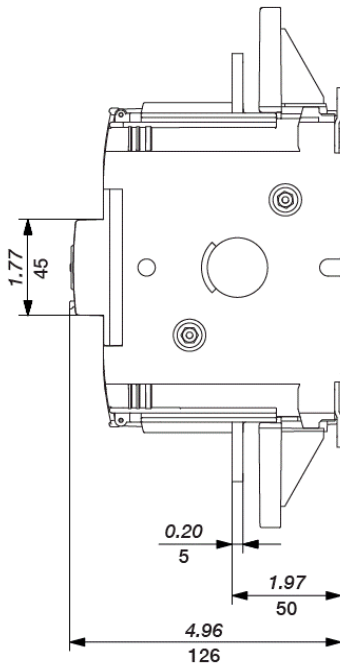
Mechanical characteristics

Mechanical durability (nb of operating cycle without load)	8000
Operating temperature without derating	40
Maximum weight (without bridging links)	6,6

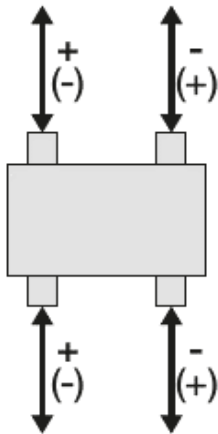
Connection terminals

Maximum Cu Busbar dimensions (width) (mm)	10 x 100
Maximum rigid cable cross-section Cu for each side (mm ²)	4 x 400
Tightening torque min (Nm):	35
Tightening torque max (Nm):	42,4

Dimensions



Connection



Using
84091600
BRIDGING BAR
F3 1600A

Using Manual
External: S2L

Using shaft S
10x10
140010XX (XX=
20 to 40)

Using Lugs
CMC PV2-600
39542060
39543060

Using Aux.
Contact Screw
NO+NC STD
84990001

Using Aux
Contact Screw
NO+NC Low
level
84990002

Using Aux
Contac Screw
NC 600V
84990003