



ISOM K-20

Insulation monitoring device

for power networks or control/command circuits

Insulation monitoring



ISOM K-20



Configuration with Easy Config System.

Function

The **ISOM K-20** insulation monitoring device monitors the insulation level of standalone power networks in an IT neutral arrangement. It is also designed for monitoring control-command networks.

Advantages

Intuitive interface

display and a dedicated "Quick-Access" button for fast and easy navigation between the main operating screens.

Recess-mounted box

Because of the product's housing design, you can recess-mount the device or modularly integrate it on a DIN rail.

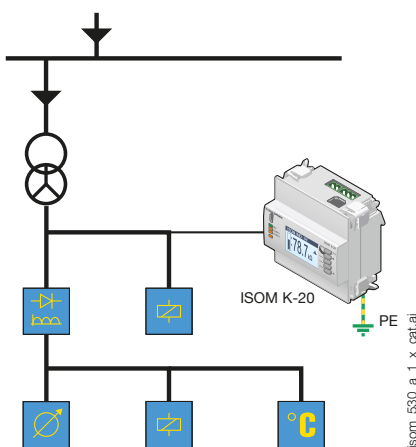
Applications

These IMDs can be used for multiple applications:

- Universal use in industry
- Monitoring standalone AC, DC and combined networks (up to 30 μF of leakage)

The ISOM K-20 is intended for circuits where the signalling of continuous symmetrical faults is essential and is suitable for AC and DC control circuits.

Note: In accordance with IEC 61557-8 and EN 61557-8, the use of IMDs capable of detecting symmetrical defects is mandatory for low-voltage DC circuits (> 120 VDC regular or 140 VDC peak).



Typical monitored loads: rectifiers, relays, sensors and probes.

The solution for

- > Industries
- > Energy production
- > Infrastructures



Strong points

- > Intuitive interface
- > Recess-mounted box

Conformity to standards

- > IEC 61557-8



- > ISO 14025



Even more functionality



ISOM K-40

- > RS485 MODBUS communication
- > Alert log
- > Current input and temperature monitoring